

INSTALLATION INSTRUCTIONS

Item#1225-xxx (New. 2024/06/11)

READ AND SAVE THESE INSTRUCTIONS

WARNING! SHUT POWER OFF AT FUSE OR CIRCUIT BREAKER.
VERTISSEMENT! COUPER LE COURANT AU NIVEAU DES FUSIBLES OU DU DISJONCTEUR.

ASSEMBLING THE FIXTURE (Fig. 1)

1. Shut off power at the fuse box or circuit breaker box and remove the old fixture including the mounting hardware.
2. Carefully unpack your new fixture and lay out all the parts in a clean area. Take care not to misplace any small parts necessary for installation.
3. Determine the desired hanging height and threads rod (M/N). Carefully feed wires through each rod as you assemble.
4. Thread the bottom of rod (N) onto top of fixture body (O).
5. Thread rod (M) to swivel (S) on canopy (D). Carefully pull fixture wires up through canopy.

HANGING THE FIXTURE (Fig. 2)

6. Carefully pull house wires down out of outlet box so house wires are easily accessible to connect fixture wires.
7. Attach crossbar assembly to junction box (Not included) using junction box screw (B). The side of crossbar (A) marked "GND" must face out. The length of mounting screws (E) into crossbar (A) may be adjusted if necessary. Then tighten with hex nuts provided.

CONNECTING THE WIRE (Fig. 3)

8. Connect the electrical wire as shown in Fig.3. Making sure that all wire connectors are secured. If your outlet box has a ground wire (green or bare copper), connect fixtures ground wire to it. Otherwise, connect fixture ground wire directly to the crossbar using green screw provided.
9. Tuck wire connections neatly into the outlet box.

FINISHING THE FIXTURE (Fig.1)

10. Carefully raise fixture up to ceiling. Secure canopy (D) to ceiling with finials (F).
11. Install (1) one medium base bulb up to 100 watts each or CFL or LED equivalent (Not included), in accordance with the fixture specification—**DO NOT EXCEED THE MAXIMUM WATTAGE RATING! (NE PAS DEPASSER LA PUISSANCE NOMINALE MAXIMALE!)**.

Your installation is now complete. Return power to the outlet box and test the fixture.

Note: Illustration (Fig. 1) on this manual is for installation purposes only. It may or may not be identical to the fixture purchased.

Fig.1

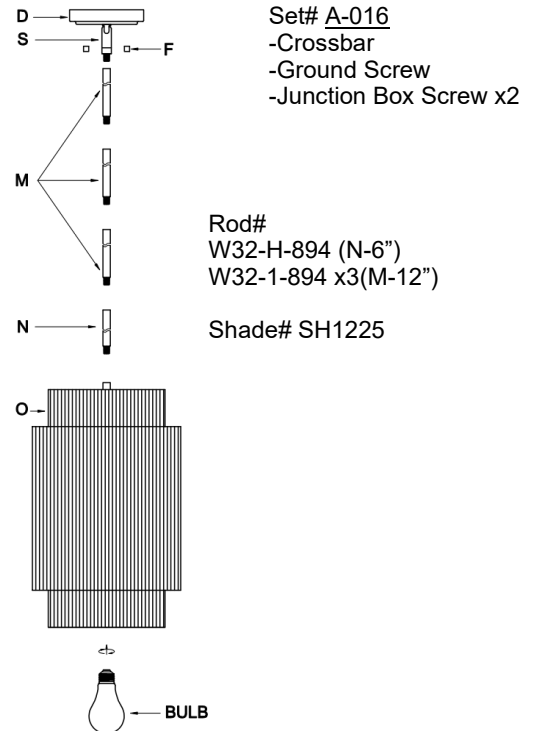


Fig. 2

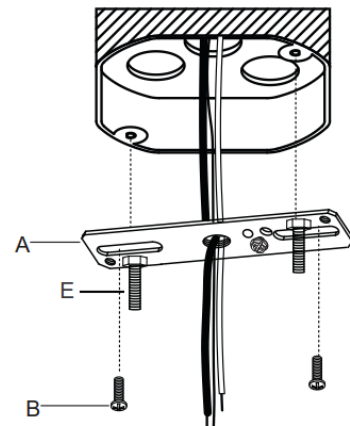


Fig. 3

