

INSTALLATION INSTRUCTIONS

Item#1112-xxx (New. 2024/06/11)

READ AND SAVE THESE INSTRUCTIONS

WARNING! SHUT POWER OFF AT FUSE OR CIRCUIT BREAKER.
VERTISSEMENT! COUPER LE COURANT AU NIVEAU DES FUSIBLES OU DU DISJONCTEUR.

ASSEMBLING THE FIXTURE (Fig. 1)

1. Shut off power at the fuse box or circuit breaker box and remove the old fixture including the mounting hardware.
2. Carefully unpack your new fixture and lay out all the parts in a clean area. Take care not to misplace any small parts necessary for installation.
3. Thread all A1/A2/A3 rods into holes in fixture body randomly.
4. Determine the desired hanging height and threads rod (M/N). Carefully feed wires through each rod as you assemble.
IMPORTANT: At least one 12-inch rod and 6-inch rod must be used.
5. Push fixture wires through swivel (S). Thread swivel to rod (M/N).
6. Slip fixture wires through screw collar (W) and threaded ring (F) and hole in canopy (D).

HANGING THE FIXTURE (Fig. 2)

7. Attach crossbar assembly to junction box (Not included) using junction box screw (B). The side of crossbar (A) marked "GND" must face out. The length of all thread into crossbar (A) may be adjusted if necessary. Then tighten with hex nuts provided.
8. Push fixture wires through all thread inside junction box.
9. Thread screw collar (W) onto end of threaded attached to crossbar (A).

CONNECTING THE WIRE (Fig. 3)

10. Connect the electrical wire as shown in Fig.3. Making sure that all wire connectors are secured. If your junction box has a ground wire (green or bare copper), connect fixtures ground wire to it. Otherwise, connect fixture ground wire directly to the crossbar using green screw provided.
11. Tuck wire connections neatly into the outlet box.

FINISHING THE FIXTURE (Fig.1)

12. Thread swivel (S) onto screw collar (W). Raise canopy (D) up to ceiling. Pass hole in canopy (D) over screw collar (W). Position canopy (D) up against ceiling. Thread ring (F) onto screw collar (W). Tighten threaded ring (F) to secure fixture to ceiling.
13. Install (15) fifteen candelabra base bulbs up to 40 watts each or CFL or LED equivalent (not included), in accordance with the fixture specification — **DO NOT EXCEED THE MAXIMUM WATTAGE RATING! (NE PAS DEPASSER LA PUISSANCE NOMINALE MAXIMALE!)**

Your installation is now complete. Return power to the junction box and test the fixture.

Note: Illustration (Fig. 1) on this manual is for installation purposes only. It may or may not be identical to the fixture purchased.

Fig.1

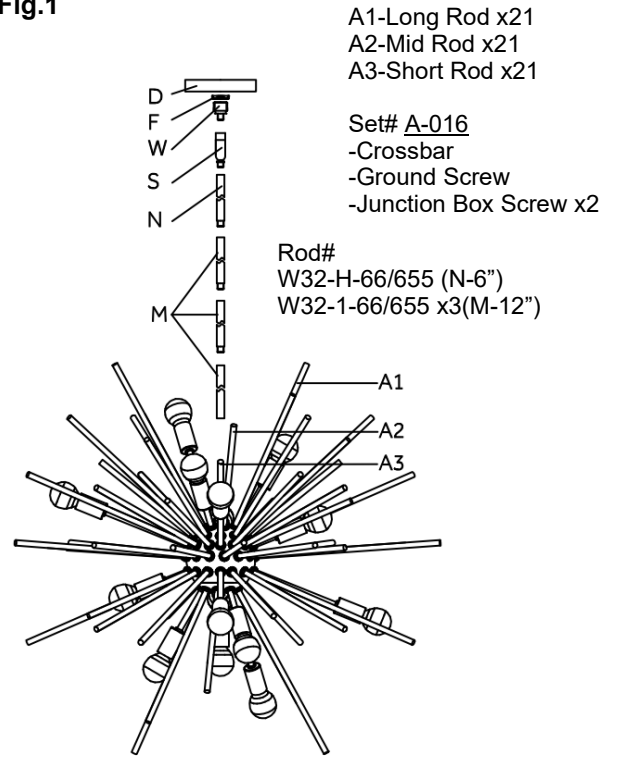


Fig. 2

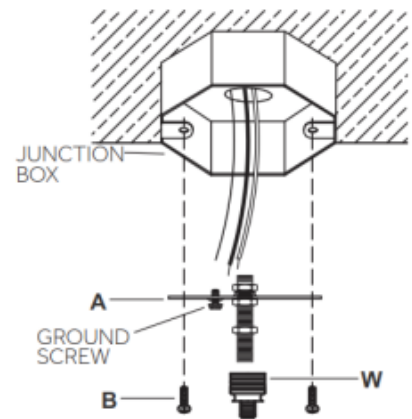


Fig. 3

